

W110_c W130_c

SPEC SHEET



	W110C	W130C
STANDARD BUCKET PAYLOAD	3.5 ton	4.4 ton
BUCKET VOLUME	1.9 - 4 m ³	2.1 - 5 m ³
PRODUCTIVITY (50 m DISTANCE)	180 t/h	227 t/h
OPERATING WEIGHT	11 ton	12.5 ton
MAX POWER	142 hp	172 hp

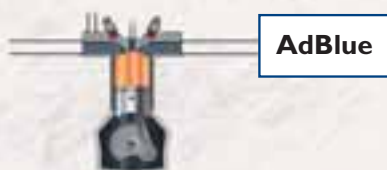


BUILT AROUND YOU

THE MAIN COMPONENTS OF OUR W



1 SCR ONLY TECHNOLOGY



SCR is a well-proven and reliable technology used on trucks in Europe since 2004. Since this solution does not affect combustion, it delivers more power with less fuel. SCR ONLY technology doesn't require a particulate filter.

2 THE HEAVY DUTY AXLES WITH 100% FRONT LOCK*



*optional in alternative to Limited slip differentials

HEEL LOADER



4

3

THE COOLING BOX



Most wheel loaders mount their radiators back to back. At New Holland we have mounted them to form a cooling module like a box. The benefit is better cooling, in the harshest of environments. In addition, with a programmable reversing fan as standard, cleaning radiators will become a thing of the past.

4

MORE PAYLOAD WITH REAR MOUNTED ENGINE



Rear mounted engine result for you is more material in your bucket. In addition, it allows to use less counterweight. Less dead weight results in less stress on the axles, the brakes and the tyres.

PRODUCTIVITY



LESS FUEL WITH BETTER COMBUSTION

Engine combustion is optimised for efficiency: it only uses fresh air and occurs at optimum temperature, guaranteeing the best engine output for power and fuel efficiency.

LESS MAINTENANCE WITH NO PARTICULATE FILTER

With our AdBlue technology, we don't need a particulate filter, so you make significant saving on the maintenance. It also means that the temperature in the engine compartment is lower, which means a longer life for the rubber parts and lower cooling needs than other Tier 4 solutions. The smaller fans in our wheel loaders mean you use less fuel. In addition you do not require a costly specific oil and no other tier 4i solution offer such a high fuel compatibility.

CUT FUEL WASTE WITH ECOSTOP

ECOSTOP automatically shuts down the engine and the electric system after 5 minutes of idling, so there is no waste of fuel.



MORE MATERIAL IN THE BUCKET WITH REAR MOUNTED ENGINE

Rear mounted engine result for you is more payload in your bucket.

In addition, it allows to use less counterweight. Less dead weight results in less stress on the axles, the brakes and the tyres.

LESS MAINTENANCE WITH OPEN DIFFERENTIAL

The optional open differentials and front auto-lock reduce tire wear because of no wheel slippage.

The absence of friction in the differentials increases oil life by 50%.

More effective lubrication with longer lasting effect increases reliability.

For a limited investment you can choose the limited slip differentials mounted on heavy duty front axle and rear standard axle.

LESS MAINTENANCE WITH THE COOLING BOX

We designed our cooling system to maximise its efficiency, making a box of the radiators rather than following the traditional approach of having them overlap. Our design significantly improves the cooling performance, lengthening the life of the oil 50%. The better quality of the oil also means a longer life for your wheel loader.

WELCOME ON BOARD



EXTRA WIDE ACCESS

The 4 wide steps and 2 handles make it easy for you to reach the cab; the wide door with no obstacles makes it easy to gain access.

OUTSTANDING VISIBILITY

You can work fast and confidently with excellent all-round visibility, further enhanced by the curved shape of the rear hood, which is very low due to the small cooling package.

SUPERIOR AIR VENTILATION

You can work in comfort with the efficient ventilation ensured by 16 air vents and the optional air conditioning system. In addition, the doors open 180° and can be easily locked in open position or unlocked from the driver's seat



OPERATOR SAFETY AND LOW VIBRATIONS

You will enjoy the protection of our reinforced cab, which guarantees protection against roll over (ROPS) and falling objects (FOPS). We placed the engine at the back of the machine, far from the cab, so that you will feel lower vibrations in the cab.

SITTING COMFORTABLY WITH CONTROLS AT YOUR FINGERTIPS

You will enjoy the comfort of the heated seat with high vibration absorption. You can focus entirely on the job at hand and work comfortably with the ergonomic positioning of the control panel under your right hand. The overhead radio positioning and ample storage add up to great convenience for you.

EASY OPERATING

For more comfort and productivity during repetitive activities the following functions, which can be activated or de-activated according to your preferences, will free your right hand for steering:

Auto-lift: automatically lifts the boom to the max height or to the height you have set

Reverse button: allows you to use your left hand for steering and activate reverse speed from the joystick with your right hand

Return to dig: automatically brings back the bucket in the right position for loading again

Return to travel: automatically lowers the boom to carry position; it can be adjusted according to your tyres and bucket

Auto-shift: ensures the machine always operates in the most suitable gear according to speed, kick down and engine braking

Auto-Glide Ride: reduces loader arm bounce during travel, maintaining maximum material retention on all surfaces.

It's activated from 7 km/h

SPECIFICATIONS

PRODUCTIVITY

(50-METER DISTANCE CYCLE)

Considering: density: 1,8 t/m³, fill factor: 100%, 52 cycles/hour and each hour includes a 5-minute break..... 110 m³/h or 180 t/h of material
52 loading cycles/h with standard bucket 2.1 m³ or 3.48 ton

ENGINE

Compliant with EPA tier 4i EU regulations

FPT engine F4HFE413J

4 cylinders - 4,7 litres - common rail

Max power SAE J1995 106 kW / 142hp @1800 rpm

Maximum torque SAE J1349 608 Nm @1600 rpm

TRANSMISSION

All-wheel drive with planetary axles
kick-down function

4-speed torque converter

4-speed auto Powershift ZF type 4WG130, switchable to manual shifting

ZF , switchable to manual shifting

forward speeds 6-11-22-36 Km/h

reverse speeds 6.4-12-23 Km/h

Adjustable transmission declutch

AXLES AND DIFFERENTIAL

For outstanding traction with 50% longer maintenance intervals and 30% less tire wear

100% auto-lock differential on front axle and open rear axles

Front and rear ZF Heavy Duty axles (options) with Open

Differential

type MT-L3065-II

Excellent traction

29% Limited slip differential on front and rear axles

front and rear axle ZF type MT-L3065-II

TYRES

Tyres 217,5R25

BRAKES

Service brake Maintenance free, self-adjusting wet 4-wheel
disc brakes

Area 0,31 m²/hub

Parking brake Disc brake on transmission activated from the
cab cluster

Area 58 cm²

HYDRAULICS

Valves Rexroth Closed-center, Load sensing hydraulic system.
Main valve with 3 sections

Steering The steering orbitrol hydraulically is actuated with
priority valve

Type of pump Variable displacement pump
(134 l/min @250 bar)

Automatic hydraulic functions

- Bucket Return-to-dig

- Boom Return-to-travel

- Auto.lift (to adjustable height)

Control type Pilot control with single joystick or two levers

CAPACITIES

Fuel tank 189 usable litres

AdBlue tank 41.3 usable litres

Cooling system 22 litres

Engine oil 12 litres

Hydraulic oil Tank: 57 litres, total system: 114 litres

Transmission oil 19 litres

CAB AND CONTROLS

For you safety the cab complies to:

protection against falling objects (FOPS) ISO EN3449

protection against roll over (ROPS) ISO EN13510

NOISE AND VIBRATION

Interior noise 72 dB(A) according to ISO6595/6396/3744

Exterior noise 72 dB(A) at 15 meters as per SAE J88 SEP80

105 dB(A) according to ISO6395/6396/3744

Switchable reverse gear alarm

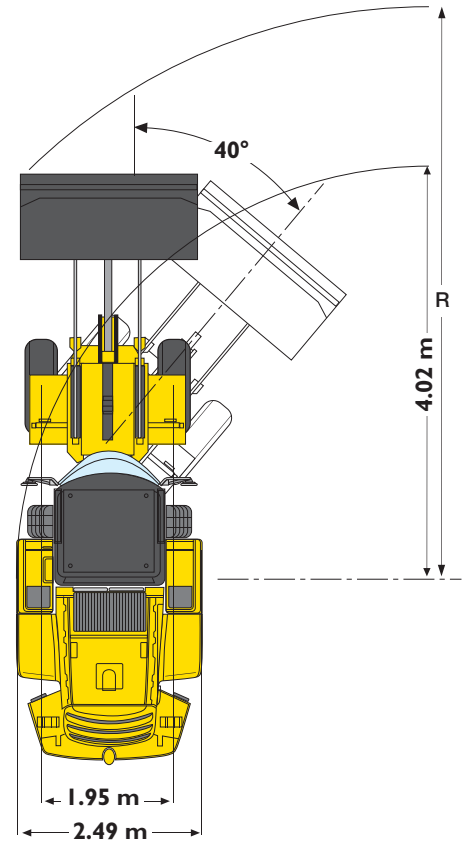
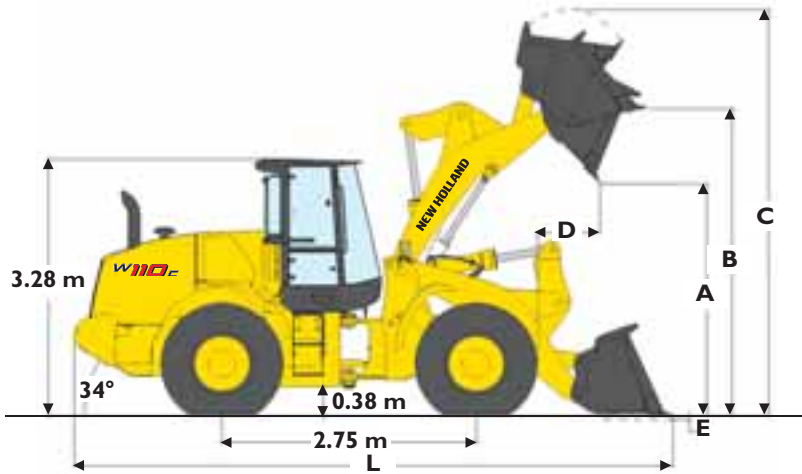
Vibrations air-cushioned seat

ELECTRICAL SYSTEM

24V. Batteries 2 x 12V.

Alternator 70A

PERFORMANCE DATA



W110C		Z-BAR buckets				LONG REACH buckets				TC buckets	
		2.1 m ³		1.7 m ³ w/QC		1.9 m ³ bucket		1.7 m ³ w/QC		1.7 m ³ w/QC	
	Bucket with bolt on:	edge	teeth	edge	teeth	edge	teeth	edge	teeth	edge	teeth
	Bucket volume (heaped)	2.07	2.07	1.70	1.70	1.88	1.84	1.70	1.70	1.70	1.70
	Bucket Payload	3478	3475	3535	3584	2977	2975	2947	2994	3249	3296
	Maximum material density	1.7	1.7	2.1	2.1	1.6	1.6	1.7	1.8	1.9	1.9
	Bucket outside width	2.49	2.54	2.44	2.44	2.49	2.54	2.44	2.44	2.44	2.44
	Bucket weight	857	877	1137	1065	821	842	1137	1065	1117	1045
	Tipping load - straight	8150	8145	8317	8415	7011	7010	6985	7080	7634	7728
	Tipping load - Articulated at 40°	6957	6949	7069	7167	5955	5950	5894	5989	6497	6591
	Breakout force	7591	7781	7104	6959	8094	8366	7077	6933	8288	8124
	Lift capacity from ground	8889	8979	10620	10700	8830	8827	8689	8773	10236	10365
	A - Dump height at 45° at full height	2.62	2.55	2.58	2.56	3.04	2.97	2.96	2.94	2.5	2.49
	B - Hinge pin height	3.61	3.61	3.61	3.61	3.99	3.99	3.99	3.99	3.75	3.75
	C - Overall height	4.75	4.75	4.77	4.77	5.06	5.06	5.14	5.14	4.94	4.94
	D - Bucket reach at full height	1.12	1.19	1.18	1.22	1.05	1.12	1.16	1.19	1.23	1.27
	E - Dig depth	8	8	7	5	11	11	10	9	19	18
	L - Overall length with bucket on the ground	6.83	6.94	6.90	6.92	7.11	7.21	7.24	7.27	7.05	7.07
	R - Turning radius to front corner of the bucket	5.5	5.6	5.5	5.5	5.7	5.7	5.6	5.7	5.5	5.6
	Bucket rollback in carry position	43°	43°	48°	48°	44°	44°	50°	50°	52°	52°
	Dump angle at full height	55°	55°	50°	50°	51°	51°	46°	46°	62°	62°
	Machine operating weight	10448	10468	10728	10656	10582	10602	10897	10825	11189	11117

W130C

SPECIFICATIONS

PRODUCTIVITY

(50-METER DISTANCE CYCLE)

Considering: density: 1,8 t/m³, fill factor: 100%, 52 cycles/hour and each hour includes a 5-minute break..... 125 m³/h or 227 t/h of material
52 loading cycles/h with standard bucket 2.4 m³ or 4.37 ton

ENGINE

Compliant with EPA tier 4i EU regulations

FPT engine F4HFE613Z

6 cylinders - 6,7 litres - common rail

Max power SAE J1995 128 kW / 172 hp @ 1800 rpm

Maximum torque SAE J1349 730 Nm @ 1600 rpm

TRANSMISSION

All-wheel drive with planetary axles

4-speed auto Powershift ZF type 02G07135, switchable to manual shifting

Adjustable transmission declutch

forward speeds 7-13-24-39 Km/h

reverse speeds 7-14-25 Km/h

kick-down function

AXLES AND DIFFERENTIAL

- for outstanding traction with 50% longer maintenance intervals and 30% less tire wear:

100% auto-lock differential on front axle and open rear axles

Front and rear ZF heavy duty axles (options) with open differential

Type MT-L3075-II - dynamic load: 12.700kg

- Excellent traction:

29% Limited slip differential on front and rear axles

Front heavy duty axle type MT-L3075-II - dynamic load: 12.700kg

Rear oscillating axle ZF type MT-3065-II rear - dynamic load
10.700kg

TYRES

Tyres 20,5R25

BRAKES

Service brake Maintenance free, self-adjusting wet 4-wheel disc brakes

Area 0,39 m²/hub

Parking brake Disc brake on transmission activated from the cab cluster

Area 58 cm²

HYDRAULICS

Valves Rexroth Closed-center, Load sensing hydraulic system.
Main valve with 3 sections

Steering The steering orbitrol hydraulically is actuated with priority valve

Type of pump Tandem Variable displacement pump
(171 l/min @250 bar)

Automatic hydraulic functions

- Bucket Return-to-dig

- Boom Return-to-travel

- Auto.lift (to adjustable height)

Control type Pilot control with single joystick or two levers

CAPACITIES

Fuel tank 248 usable litres

AdBlue tank 41.3 usable litres

Cooling system 26.8 litres

Engine oil 15 litres

Hydraulic oil Tank: 91 litres, total system: 148 litres

Transmission oil 27 litres

CAB AND CONTROLS

For you safety the cab complies to:

protection against falling objects (FOPS) ISO EN3449

protection against roll over (ROPS) ISO EN13510

NOISE AND VIBRATION

Driving noise in dB (A) 82 to SAE J88 @ 15 meters

Interior noise 71 dB(A) as per ISO 6595/6396/3744

Exterior noise 72 dB(A) at 15 meters as per SAE J88 SEP80

105 LwA according to ISO6395/6396/3744

Switchable reverse gear alarm

Vibrations air-cushioned seat MSG 95A/732

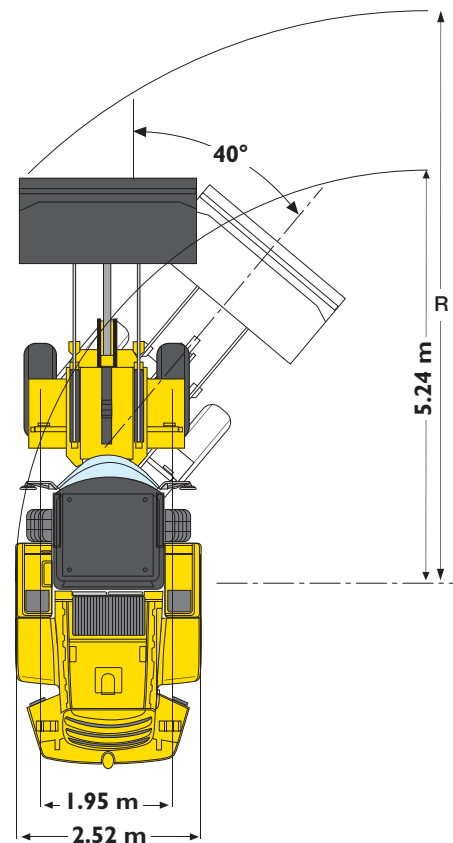
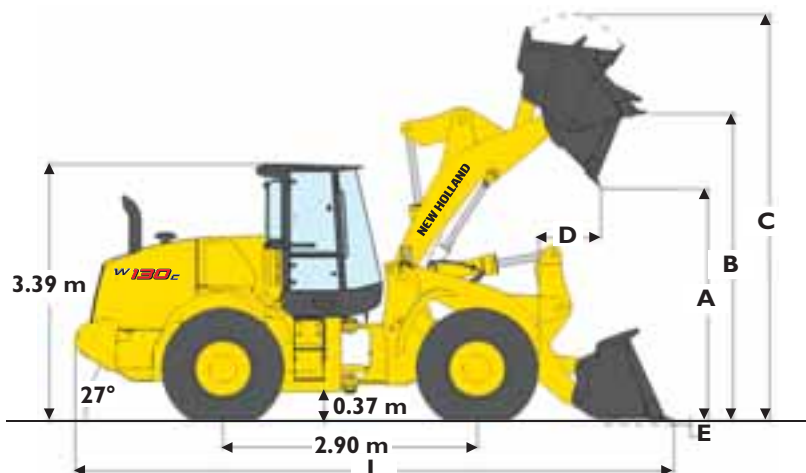
average 1,4 m/s² as per ISO/TR 25398:2006

ELECTRICAL SYSTEM

24V. Batteries 2 x 12V.

Alternator 65 A

PERFORMANCE DATA



W130C	Bucket with bolt on:	Z-BAR buckets				LONG REACH buckets				TC buckets	
		2.4 m ³		2.0 m ³ w/QC		2.2 m ³ bucket		2.0 m ³ w/QC		2.0 m ³ w/QC	
		edge	teeth	edge	teeth	edge	teeth	edge	teeth	edge	teeth
Bucket volume (heaped)	m ³	2.38	2.36	2.00	2.00	2.18	2.14	2.00	2.00	2.00	2.00
Bucket Payload	kg	4371	4367	4519	4570	3707	3704	3708	3757	4092	4157
Maximum material density	ton/m ³	1.84	1.85	2.26	2.29	1.70	1.73	1.85	1.88	2.05	2.08
Bucket outside width	m	2.49	2.54	2.49	2.49	2.49	2.54	2.49	2.49	2.49	2.49
Bucket weight	kg	941	968	1242	1168	890	916	1242	1168	1242	1168
Tipping load - straight	kg	9964	9962	10325	10426	8488	8485	8527	8624	9360	9489
Tipping load - Articulated at 40°	kg	8741	8735	9038	9139	7414	7407	7416	7514	8185	8314
Breakout force	kg	9819	10097	9472	9272	11233	11591	9503	9310	10595	10395
Lift capacity from ground	kg	9857	9956	13068	13175	11411	11410	11348	11436	14642	14851
A - Dump height at 45° at full height	m	2.75	2.68	2.71	2.69	3.24	3.17	3.19	3.18	2.65	2.63
B - Hinge pin height	m	3.83	3.83	3.83	3.83	4.24	4.24	4.24	4.24	3.96	3.96
C - Overall height	m	5.04	5.04	5.05	5.05	5.45	5.45	5.46	5.46	5.23	5.23
D - Bucket reach at full height	m	1.08	1.16	1.12	1.16	1.01	1.01	1.22	1.25	1.23	1.26
E - Dig depth	cm	9	9	9	8	9	9	10	9	18	17
L - Overall length with bucket on the ground	m	7.47	7.57	7.53	7.56	7.75	7.86	7.93	7.97	7.78	7.81
R - Turning radius to front corner of the bucket	m	5.7	5.8	5.7	5.7	5.9	6.0	5.9	5.9	5.8	5.8
Overall length without bucket	m	6.28	6.28	6.28	6.28	6.69	6.69	6.69	6.69	6.20	6.20
Bucket rollback in carry position	°	44°	44°	49°	49°	46°	46°	51°	51°	58°	58°
Dump angle at full height	°	51°	51°	46°	46°	46°	46°	41°	41°	55°	55°
Machine operating weight	kg	12191	12218	12492	12418	12336	12362	12688	12614	12569	12459

LOADER SPEED

Raising time (loaded)	sec	6.3
Dump time (loaded)	sec	1.2
Lowering time (empty, power down)	sec	4.4
Lowering time (empty, float down)	sec	4.8

PARTS AND SERVICE

The New Holland dealer network is, in itself, the best guarantee of continued productivity for the machines it delivers to its customers. New Holland service technicians are fully equipped to resolve all maintenance and repair issues, with each and every service point providing the high standards they are obliged to observe under New Holland's stringent quality guidelines. The New Holland global parts network ensures fast, reliable, replacement parts for less downtime, increased productivity and, of course, profitable operation for its customers.



AT YOUR OWN DEALERSHIP

The information contained in this brochure is intended to be of general nature only. The NEW HOLLAND KOBELCO CONSTRUCTION MACHINERY S.p.A. company may at any time and from time to time, for technical or other necessary reasons, modify any of the details or specifications of the product described in this brochure. Illustrations do not necessarily show products in standard conditions. The dimensions, weights and capacities shown herein, as well as any conversion data used, are approximate only and are subject to variations within normal manufacturing techniques.

Published by NEW HOLLAND KOBELCO CONSTRUCTION MACHINERY S.p.A.
Printed in Italy - MediaCross Firenze - Cod 30645GB - Printed 02/12

Printed on recycled paper
CoC-FSC 000010 CQ Mixed sources



ELEMENTAL
CHLORINE
FREE
GUARANTEED



www.newholland.com

