

E10SR

NEW HOLLAND KOBELCO



NET POWER	8 hp
OPERATING WEIGHT	1140 kg
MAX DIGGING DEPTH	175 cm
HYDRAULIC VARIABLE TRACK GAUGE	



BUILT AROUND YOU



Joystick Control:

Completely simultaneous movements including blade and slewing thanks to 2 variable displacement pumps



3 roller tracks

Strong undercarriage:

- all hoses are protected separately
- 3 rollers perfectly guide the tracks even on demolition jobsites



Easy maintenance:

- great access
- fluids refilling without pump



Perfect digging along a wall, no overhang

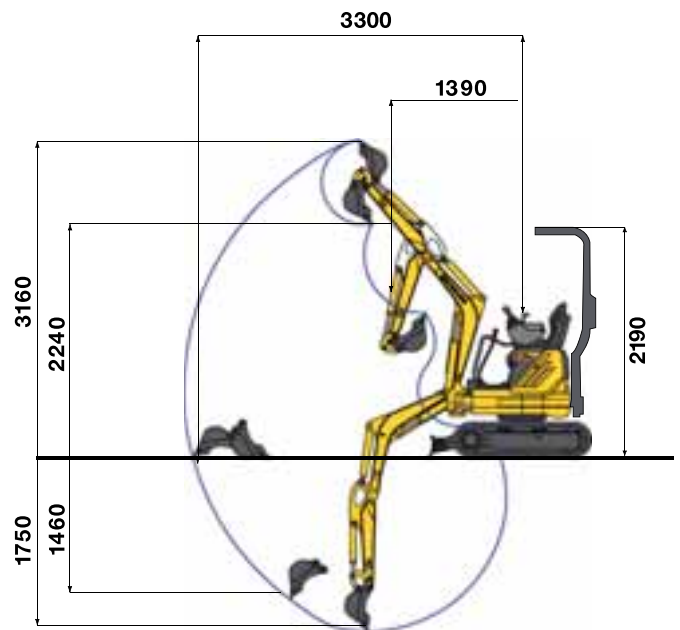
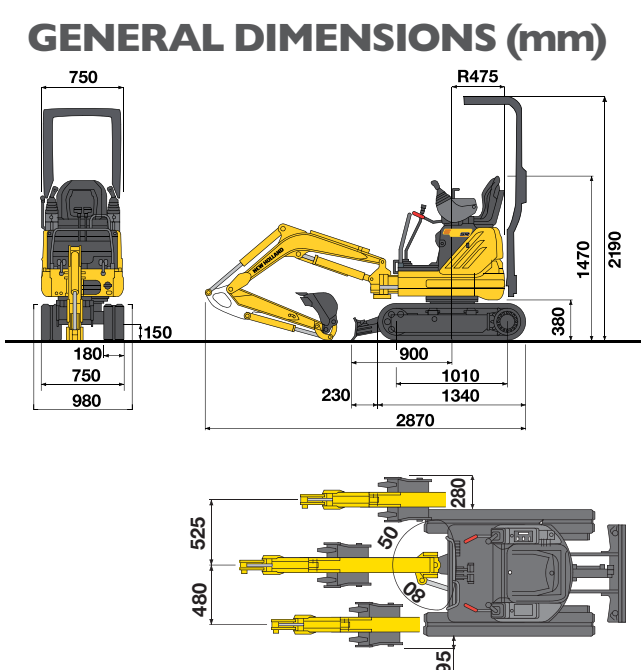


PRODUCT SPECIFICATIONS

Engine.....2-cylinder Yanmar – 0,6 liter displacement
Breakout force:
Bucket/dipperstick.....10.8 / 6.2 kN
Transport length / width / weight.....288 cm / 75 cm / 1065 kg
Height with roll bar lifted / retracted.....247 cm / 170 cm
Swing speed.....9 rpm

Boom slewing angle: left / right.....80 ° / 50 °
Electrical system voltage.....12V
Fuel tank.....14 litres
Hydraulic system.....10 litres
Travel speed range.....2-4 km/h
Maximum continuous slope.....58% (30°)

GENERAL DIMENSIONS (mm)



www.newholland.com

