

B100_C B110_C B115_C



	B100C	B110C	B115C
BUCKET CAPACITY	UP TO 1.0 m ³ BUCKET	UP TO 1.2 m ³ BUCKET	UP TO 1.2 m ³ BUCKET
ENGINE POWER	97 HP	110 HP	110 HP
MAX DIGGING DEPTH	5.8 m	5.8 m	5.6 m



BUILT AROUND YOU

AS LONG AS WE KEEP ON BUILDING, THERE

14% FUEL SAVING

The "Clean Energy" backhoe loader

BEST IN CLASS PRODUCTIVITY

10% more power than
competitive machines



IT WILL ALWAYS BE A DREAM TO ACHIEVE

HIGH OPERATING COMFORT

Class-leading operator environment

LOW COST OF OWNERSHIP

Fuel efficient
Easy to maintain



14% FUEL SAVING



LESS FUEL CONSUMPTION, LESS EMISSIONS

Engine is the heart of a backhoe loader, that's why we have always designed and produced it ourselves. This allow us to calibrate it in order to give you the best performance and the lowest fuel consumption for your own application.

In addition when you don't use the full power of the machine, the variable flow hydraulic pump uses from the engine only the required energy. This allows to do some significant extra-fuel saving and as well to reduce the operating noise



CLEAN ENERGY AND LIMITED NOISE IN RESIDENTIAL AREAS

The C Series backhoe loaders comply with the extremely strict Tier 4 interim regulations, dramatically cutting emissions levels, with over 90% less Particulate Matter, or soot, and 50% less Nitrogen Oxide than the previous generation. External noise levels are exceptionally low and the New Holland CB90S silenced hydraulic hammers, specially designed for the backhoe loaders, further contribute to these machines' quiet operation. They are fitted with rubber pads to reduce ground damage. The low emissions and noise levels, together with the low ground damage, make the C Series backhoe loaders ideal for working in residential areas.

SUPERIOR PRODUCTIVITY



COMBINING THE PERFORMANCE OF CRAWLER EXCAVATOR

The typical "Banana boom" provides the same design of the big excavator. With the in line cylinders the efforts are reduced, the visibility is better and the general digging performances higher. Smoother moves allows a faster positioning of the arm over the trench and increases the great stability of the machine. Digging the load sensing hydraulic system combined with flow sharing valves provide smooth and accurate control, fast load cycles or when necessary, delicate operations.

LONG REACH ARM: BECAUSE YOU HAVE NO TIME TO LOOSE !

No need to reposition the machine constantly with this arm that is half a meter longer than other backhoe loaders.



BEST IN CLASS PRODUCTIVITY



LIKE A WHEEL LOADER!



EASY LOADING:

- All loading functions on a single joystick
- Maximize bucket filling with Powershift transmission and its kick down function at your finger tips
- Superior loader breakout force makes the job faster
- Lifts from 3,2 to 3,5 ton at 3,5m dumping height
- Auto-Glide Ride automatically deactivates when you are loading. You can keep one hand on the steering wheel and the other on the loader joystick

ROADING :

Optimize bucket retention with Auto-Glide Ride that avoids loader arm bounce when traveling. It is automatically activated over 5 km/h.

- Great comfort thanks to the suspended seat
- Excellent all around visibility due to wide glass area

GREAT ABILITY ON SOFT SOILS AND TOUGH TERRAINS:

- Excellent traction in the worst conditions thanks to a 100% lockable differential, on B100C and B110C or a limited slip differential on the B115B
- In residential constructions the ground is neither smooth nor flat, in order to remain stable in such conditions the front axle can oscillate from side to side by 22°
- B100BTC and B110BTC are available with 20" tire that provides a fantastic float-ability

EASY DUMPING:

- Mechanical self-leveling of the bucket maximize bucket retention with less concentration from your side (on TC models)
- Curved loader arms makes easier to dump a bucket in a truck (on TC models)
- After dumping, pushing the joystick forward and then on the left, the bucket will automatically return-to-dig

SIMPLE LEVELING

Is easy and simply activated pushing forward the joystick



SUPERIOR POWER, GREAT CONTROL

SUPERIOR POWER!

100 or 110 hp that is 10 hp more than our main competitors!



SMOOTH CONTROL UNDER LOAD WITH POWERSHIFT

Available on all models, the Powershift transmission provides maximum operator comfort .

In “full automatic mode” the transmission will auto-shift either up or down the gears, depending on speed and load, improving cycle times and simplifying road travel

For less sophistication, you can opt for our robust PowerShuttle transmission that is available on B100C and B110C.

MINIMIZED DOWNTIME:



Hydraulic side shift (option):
Fast and accurate positioning of the boom without damaging the ground



Excellent lighting for night working



4 front working lights and
4 rear working lights (on
all models equipped with
variable flow pump)

WELCOME ON BOARD



ROOMY CAB WITH EASY ACCESS

- Simultaneous control
- All loader and bucket controls are located on the joystick
- Deluxe operator's seat
- Adjustable comfortable armrest
- Pneumatically height adjustable suspension seat
- Unbeatable comfort on rough terrain and on the road
- Excellent ventilation
- Partial or full opening of both front and rear side windows
- Cab fan (option)
- Standard heater or air conditioning (option)



ALL CONTROLS UNDER YOUR HAND

- Fully adjustable working position with outstanding visibility.
- Quiet working environment: cab interior 77 dB / exterior 103 dB
- Easy cleaning
- Removable floor covering and flat cab floor make cleaning easier
- Storage room
- Cup holder
- Wider glove box

LOW COST OF OWNERSHIP



AN IMPORTANT COST SAVING

If your New Holland machine is used for 800h/year, we estimate that our new hydraulic system, including the Variable Displacement Pump, will result in average savings of up to 1000 €/year. The total fuel saving with the new engine and the variable displacement pump can reach the 14% versus the previous gear pump models.

VANDAL PROOF: PROTECT YOUR INVESTMENT ON SITE

- Secure hydraulic oil cap-breather
- Battery box is locked with a key
- Engine hood is lockable with a key
- An anti-theft device is available as option

SMART DESIGN

- Driving light protection
- Rear driving lights have 2 positions:
- transport position: on the stabs
 - working position: on the cab, so that they are completely protected



**-14%
FUEL**



BEST IN CLASS ACCESSIBILITY

- Tilting engine hood provides excellent ground level access to the engine and service points.
- Central service point location

Daily check and fill points are accessible from ground level for time saving. On the machine's left side, just above the fuel tank, you can easily reach:

- the hydraulic pressure check points,
- steering circuit,
- pilot control,

All grouped together for time and cost reduction whilst improving efficiency, durability and performance



EASY DIAGNOSIS

Rapid engine diagnosis is possible with the New Holland Electronic Service Tool

NO SEPARATE BRAKE FLUID

Hydraulic oil is used as the brake fluid, so no need to use separate tank and no risk of using the wrong fluid



PROTECTED BATTERY EASY TO REACH

The Battery is easily reached in the tool box located on the right side, underneath the cab. By removing one panel it is simple to access both the battery and the master switch.

MAIN FEATURES

B100C

18" tires 2-wheel steer
 1.0 m³ bucket
 97 hp
 Powershuttle Transmission (standard)
 Pilot / Mechanical Control
 3.4 litre FPT Industrial engine turbocharged,
 common rail injection
 97 hp @ 2200 rpm / 460 Nm @ 1400 rpm

SPECIFICATIONS

HYDRAULICS

Type of pump	Variable Displacement
Maximum flow	6 to 165 l/min @ 2200 l/min
Maximum pressure level	205 bars

BATTERY

12V 95Ah, 900 A (SAE) - 120 A

OPERATING WEIGHT

- with standard backhoe and 6-in-1 bucket	8120 kg
- with Extendible Backhoe and 6-in-1 bucket	8350 kg

TURNING RADIUS (front tyres 12.5/80-18, wheel not braked, 4WD engaged)

- at ext. edge of front tires	4300 mm
- at bucket corner	5600 mm

AXLES, TYRES & BRAKE

Brakes	Power Brake with 2472 cm ² friction area
Tires can be multipurpose, hard soil specific or soft soil specific	
Tires	18" front with 26" or 28" rear
Front axle with +/- 11° oscillation	100% lockable

CAPACITIES

Fuel tank	145 l
Cooling system	24 l

EMISSIONS

CO ₂ emissions (g/kWh)	890
NO _x emissions	3.03
HC emissions	0.004
CO emissions	0.05
PM emissions	0.01
NO _x + NMHC emissions	3.034

NOISE

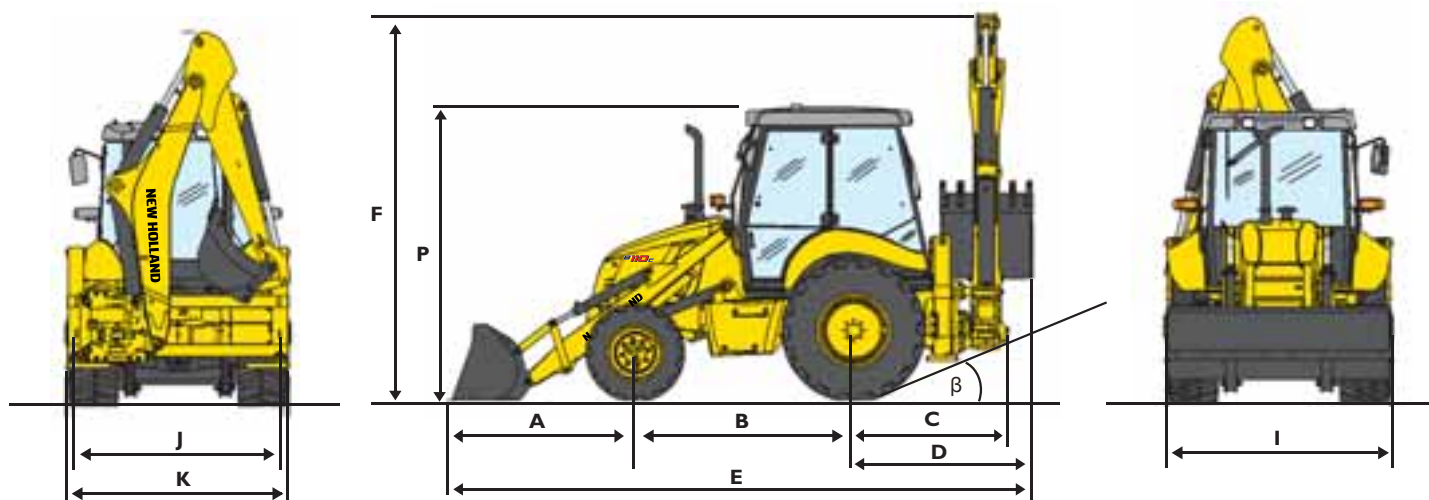
Internal (dB(A))	77
External (dB(A))	103

VIBRATION LEVELS

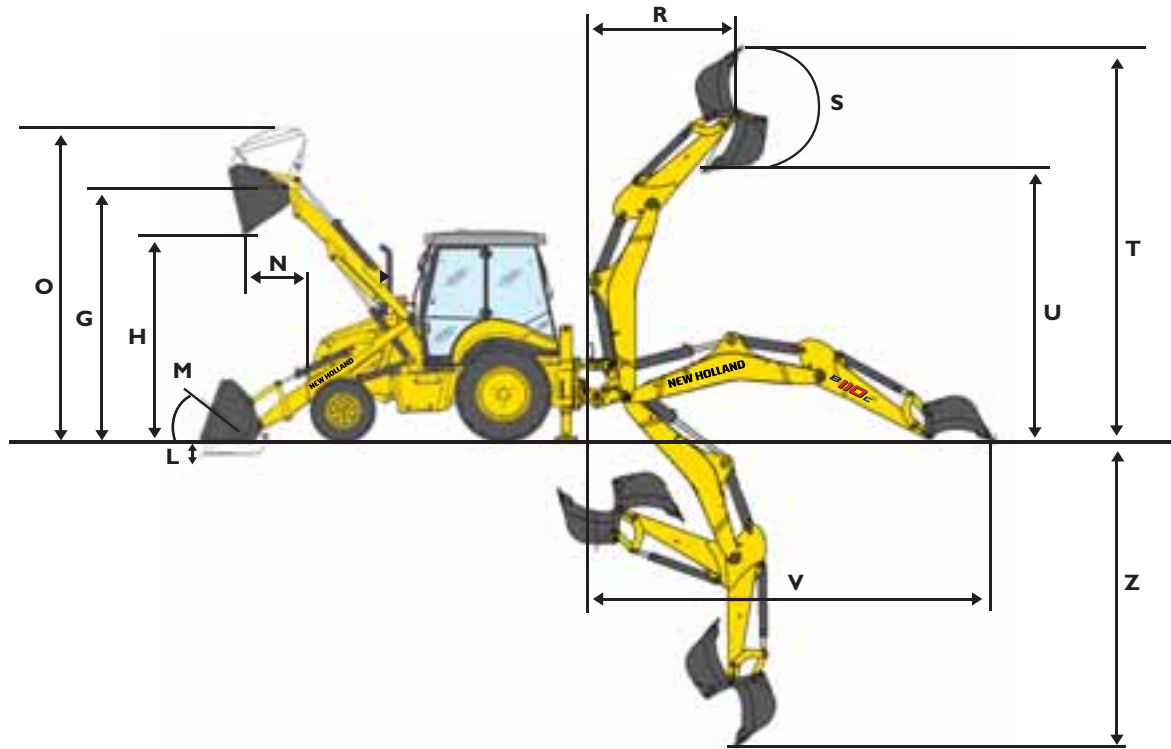
Upper limbs 2,5 m/s ²	2,5
Abdomen 0,5 m/s ²	0,5

BI00C TC	BI10C TC	BI15C TC
20" or 18" tires 2-wheel steer 1.2 m ³ bucket or 1.0 m ³ bucket 97 hp Powershift /Powershuttle Transmission Pilot / Mechanical Control 3.4 litre FPT Industrial engine turbocharged, common rail injection 97 hp @ 2200 rpm / 460 Nm @ 1400 rpm	20" or 18" tires 2-wheel steer 1.2 m ³ bucket or 1.0 m ³ bucket 110 hp Powershift /Powershuttle Transmission Pilot / Mechanical Control 3.4 litre FPT Industrial engine turbocharged, common rail injection 110 hp @ 2200 rpm / 460 Nm @ 1400 rpm	4 equal-sized wheel steer 1.2 m ³ bucket 110 hp Powershift Transmission (standard) Pilot / Mechanical Control 3.4 litre FPT Industrial engine turbocharged, common rail injection 110 hp @ 2200 rpm / 453 Nm @ 1400 rpm
Variable Displacement	Variable Displacement	Variable Displacement
6 to 165 l/min @ 2200 l/min	6 to 165 l/min @ 2200 l/min	6 to 156 l/min @ 2200 l/min
205 bars	205 bars	205 bars
12V 95Ah, 900 A (SAE) - 120 A	12V 95Ah, 900 A (SAE) - 120 A	12V 95Ah, 900 A (SAE) - 120 A
8270 kg	8270 kg	8870 kg
8500 kg	8500 kg	9100 kg
4300 mm	4300 mm	4300 mm
5600 mm	5600 mm	5600 mm
Power Brake with 2472 cm ² friction area	Power Brake with 2472 cm ² friction area	Power Brake with 2472 cm ² friction area
18" front with 26" or 28" rear or 20" front with 30" rear 100% lockable	18" front with 26" or 28" rear or 20" front with 30" rear 100% lockable	24" front with 24" or 28" front with 38" rear Limited Slip Differential
145 l	145 l	145 l
24 l	24 l	24 l
890	890	890
3.03	3.03	3.03
0.004	0.004	0.004
0.05	0.05	0.05
0.01	0.01	0.01
3.034	3.034	3.034
77	77	77
103	103	103
2,5	2,5	2,5
0,5	0,5	0,5

SPECIFICATIONS



		B100C	
OVERALL DIMENSIONS			
A	Ground distance over front axle	mm	1870
B	Wheelbase	mm	2175
C	Pivot distance over rear axle	mm	1320
D	Max distance over rear axle (with 915 mm backhoe bucket)	mm	1780
E	Overall length	mm	5825
F	Height to top of boom	mm	3875
β	Back ramp angle	°	23
P	Cab height	mm	2940
I	Loader bucket width	mm	2250
J	Stabiliser width	mm	2250
K	Overall width	mm	2325
LOADER SPECIFICATIONS			
	Maximum loader breakout force	daN	6900
	Lifting capacity to maximum height	kg	3550
L	Digging depth	mm	75
M	Bucket roll back angle on ground	°	40
N	Reach at full height	mm	785
O	Maximum operating height	mm	4330
G	Hinge pin height	mm	3500
H	Maximum dump height under bucket at 45 °	mm	2780
BACKHOE SPECIFICATIONS			
	Bucket Breakout force	daN	retracted 6400
	Dipper breakout force	daN	retracted 4620 extended 3200
	Digging reach at max height	mm	retracted 2330 extended 3190
R	Bucket rotation	°	retracted 204 extended 204
S	Digging height	mm	retracted 5650 extended 6305
T	Dumping height	mm	retracted 3930 extended 4585
U	Digging reach at ground level	mm	retracted 5870 extended 6815
V	Digging depth	mm	retracted 4710 extended 5750
Z	Bucket rotation	°	retracted 203



BI00CTC		BI10CTC		BI15CTC	
	1870		1870		1965
	2175		2175		2200
	1320		1320		1325
	1780		1780		1780
	5825		5825		5945
	3825		3825		3930
	23		23		22
	2940		2940		2960
	2250/2400		2250/2400		2400
	2250		2250		2250
	2325		2325		2325
	6650		6650		7400
	3195		3195		3550
	125		125		155
	46°		46°		45
	813		813		825
	4405		4405		4480
	3460		3460		3490
	2693		2693		2650
retracted	extended	retracted	extended	retracted	extended
6400		6400		6400	
4620	3200	4620	3200	4620	3200
2330	3190	2330	3190	2315	3130
204	204	204	204	204	204
5650	6305	5650	6305	5815	6475
3930	4585	3930	4585	4090	4750
5860	6815	5860	6815	5850	6810
4710	5750	4710	5750	4565	5600
203		203		203	

ATTACHMENTS OFFERING

	Width	Capacity	Weight	Hydraulics	
BUCKETS LOADER					
 6 in l  4 in l	2250 mm	1000 l	300 Kg	Hydraulic line, double acting	B100C B110C - B115C
	2400 mm	1150 l	380 Kg		
BUCKETS BACKHOE					
	305 mm	76 l	108 Kg	Not required	
	460 mm	109 l	130 Kg		
	610 mm	153 l	160 Kg		
	760 mm	196 l	180 Kg		
	915 mm	238 l	210 Kg		
DITCH CLEANING BUCKET					
	1200 mm	240 mm	170 mm	Not required	
	1500 mm	280 mm	190 mm		
V-TYPE BUCKET					
	1000 mm (Top)	243 l	229 kg	Not required	
	200 mm (Bottom)	150 l	160 kg		
HAMMER					
	Model	Tool dia.	Weight	Hydraulic line, single acting valve	
	CB65S CB90S	63 mm 80 mm	315 Kg 360 Kg		
SNOW BLADE					
	2640 mm	Specially designed for snow removal in tough conditions. Hydraulically powered with 30° angle to the right or left. Double acting valve is necessary.			
AUGERS					
	A complete range of augers from 150 to 1,050 mm diameter is available for each application: installation of telegraph poles, electricity pylons, signposts, pillars, tree and shrub planting. For more details contact your dealer.				

AT YOUR OWN DEALERSHIP

The information contained in this brochure is intended to be a general nature only. The NEW HOLLAND KOBELCO CONSTRUCTION MACHINERY S.p.A. company may at any time and from time to time, for technical or other necessary reasons, modify any of the details or specifications of the product described in this brochure. Illustrations do not necessarily show products in standard conditions. The dimensions, weights and capacities shown herein, as well as any conversion data used, are approximate only and are subject to variations within normal manufacturing techniques.

Printed on recycled paper
CoC-FSC 000010 CQ Mixed sources



Published by NEW HOLLAND KOBELCO CONSTRUCTION MACHINERY S.p.A
Printed in Italy - MediaCross Firenze - Cod. 31621GB - Printed 02/12



www.newholland.com

